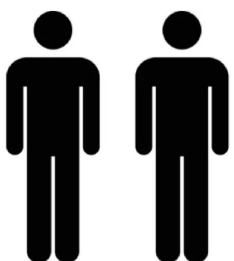
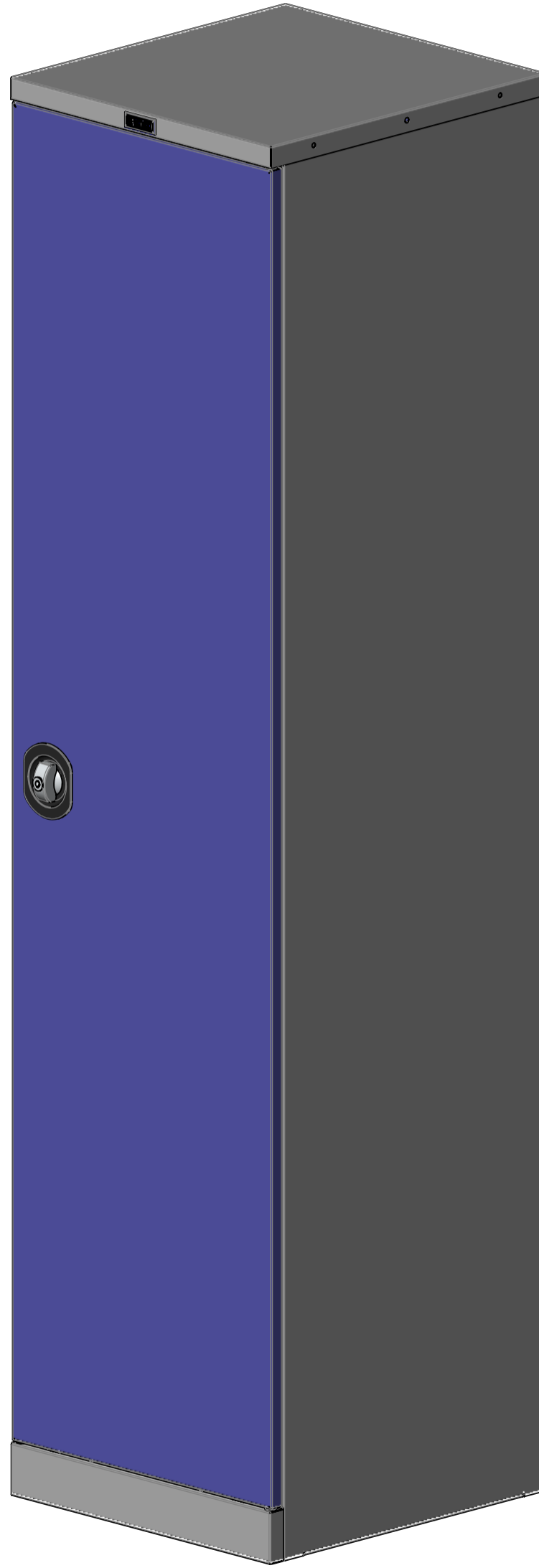


# Tool Cabinet TC-1947

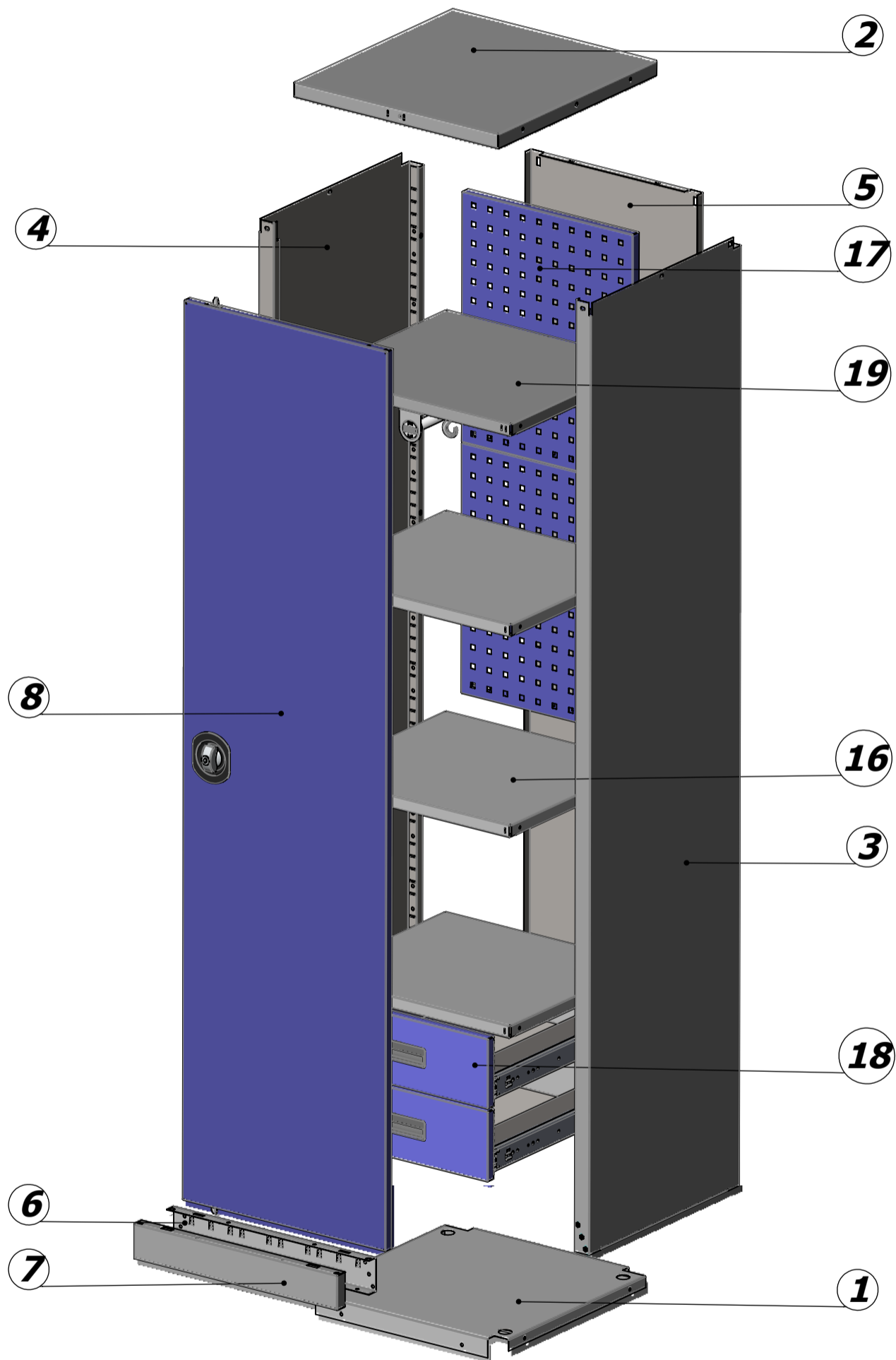
## Assembling and users Manual



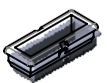
# Delivery set TC-1947

1. Bottom - 1pc. 2. Roof - 1pc. 3. Right wall - 1pc. 4. Left wall- 1pc. 5. Rear wall - 1pc. 6. Doorstep - 1pc. 7. Doorstep cover - 1pc. 8. Door - 1pc. 9. Axis - 2 pcs. 10. Bushing - 2 pcs. 11. Washer - 1pc. 12. Brand-name plate - 1pc. 13. Door Buffer- 2 pcs. 14. Bolt M5x12 - 18pcs 15. Nut M5 - 4 pcs.

**Additional parts (options):** 16. Small Shelf TCsh 43x47 17. Perforated panel Garage MS 18. Small drawer TCF 39x45 19. Wardrobe set TCSH



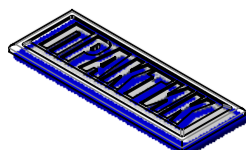
Bushing  
2pcs.



Axis 2 pcs.



Brand-name  
plate 1 pc



Washer  
1 pc



Bolt M5x12  
18pcs



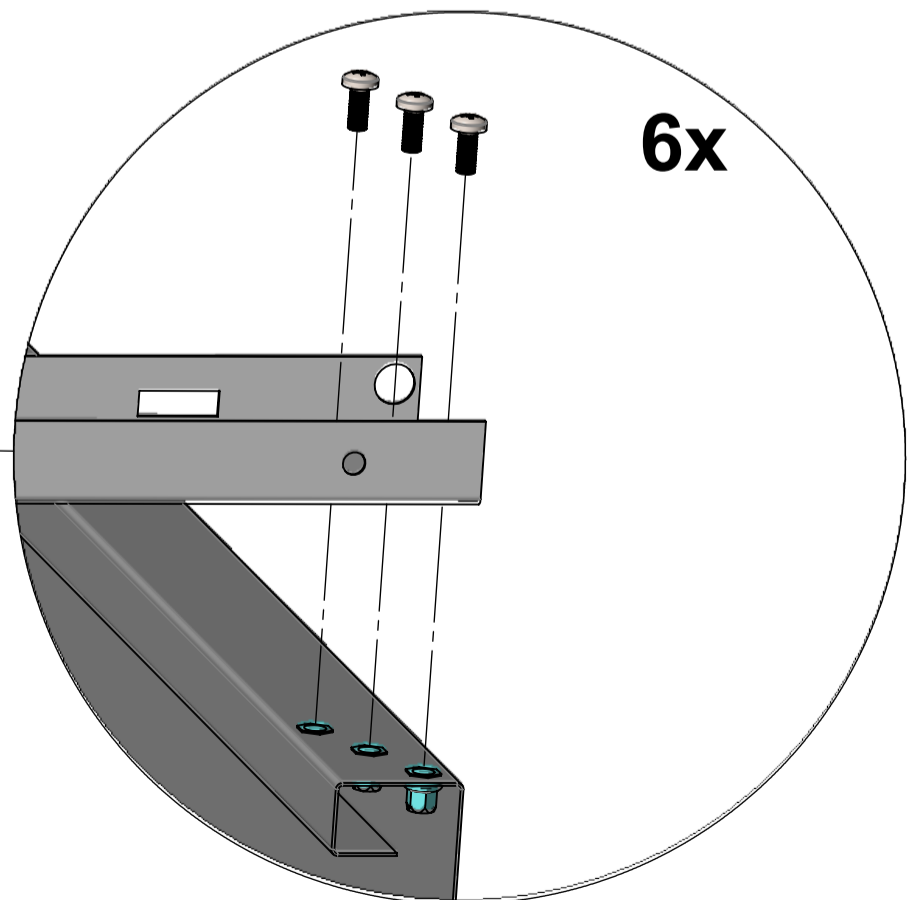
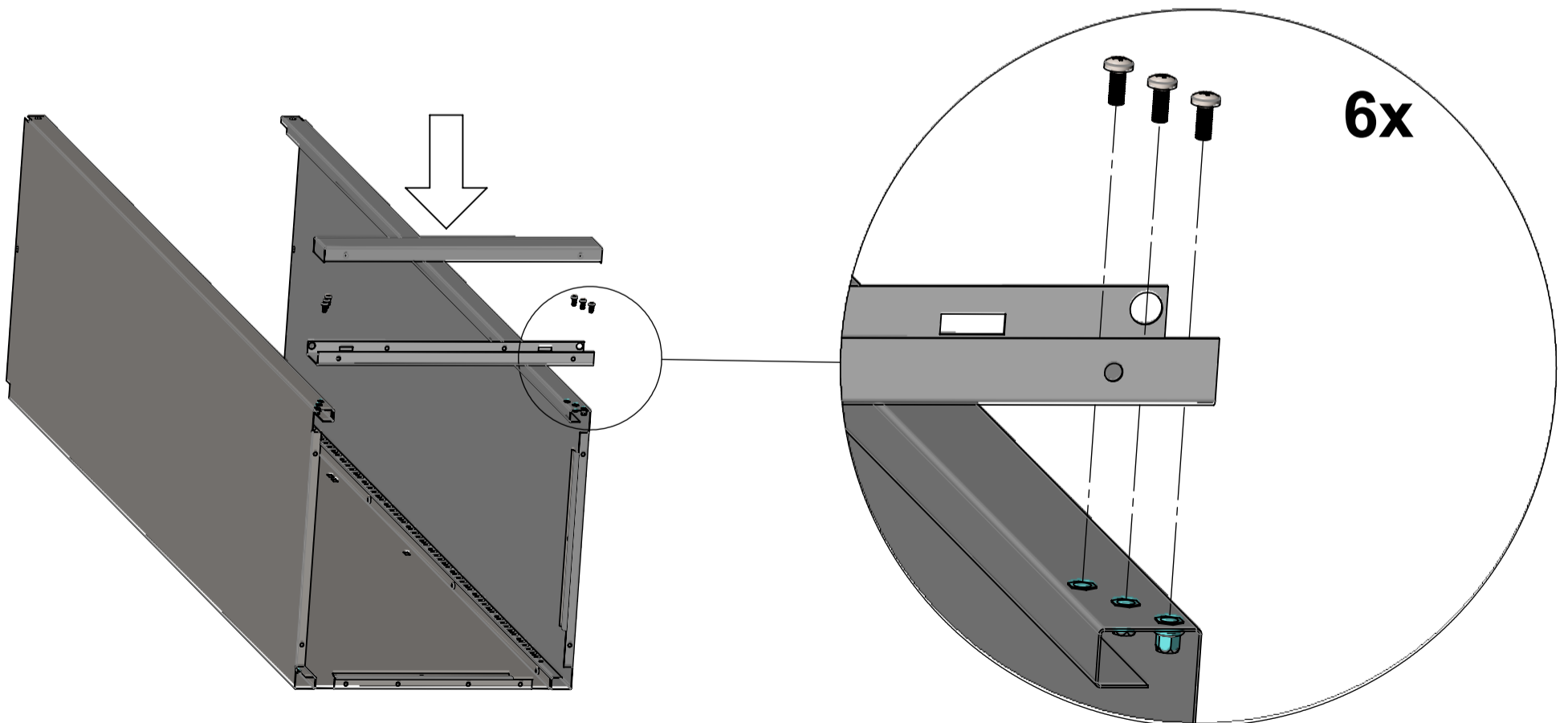
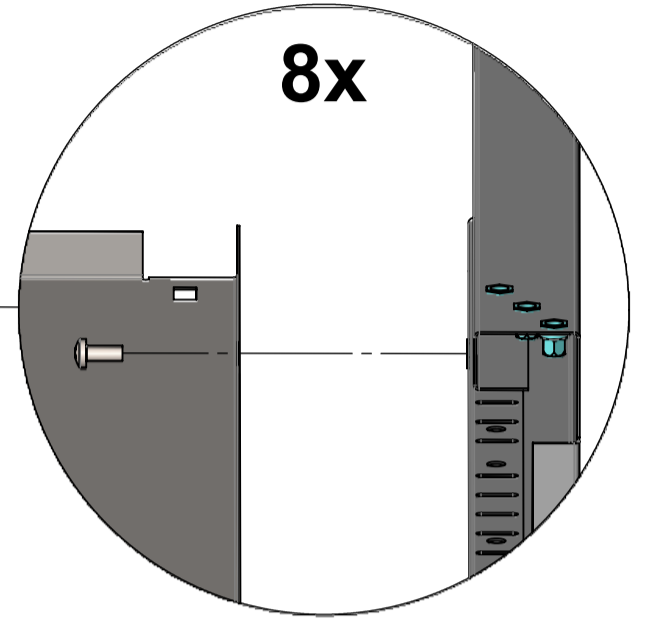
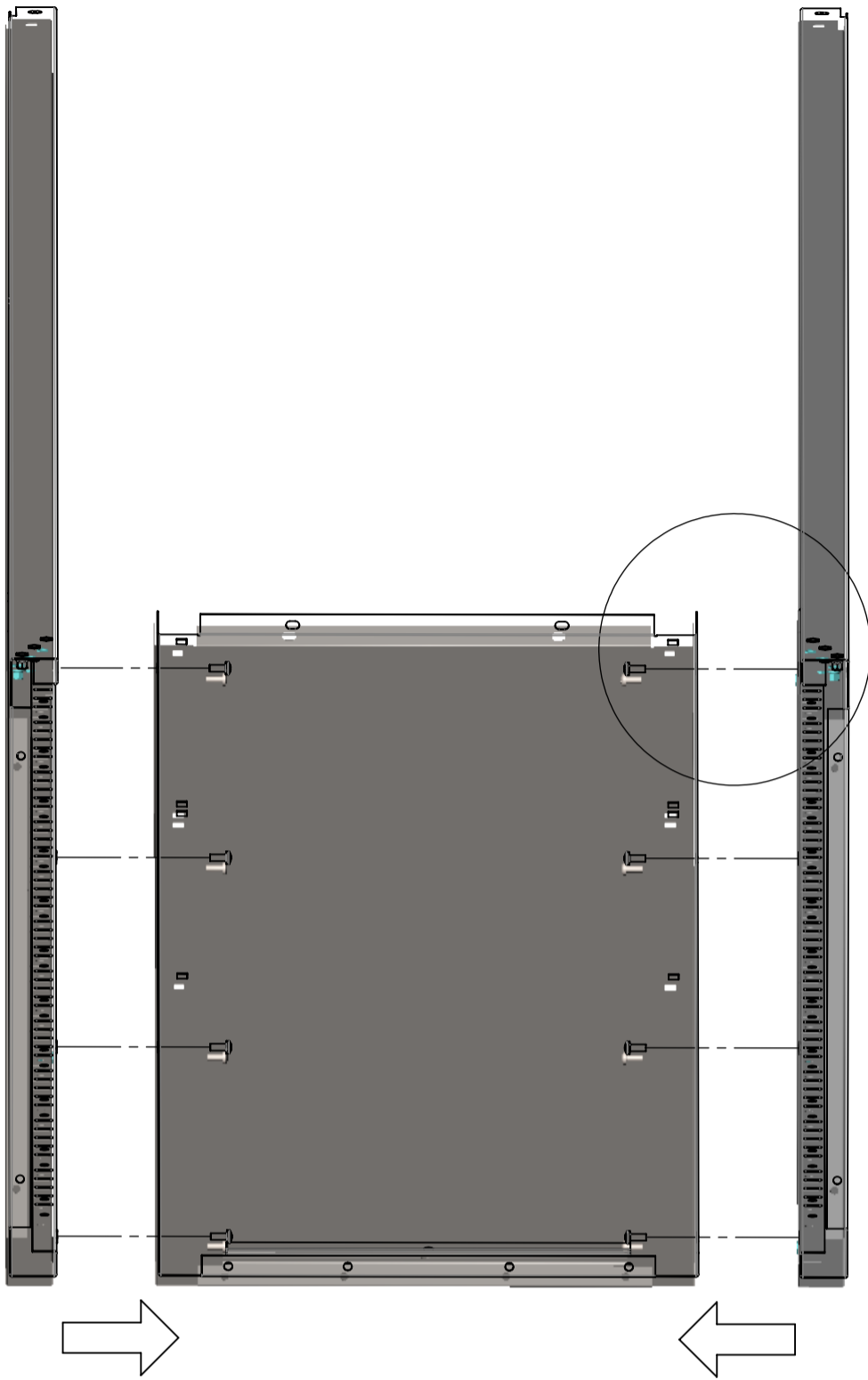
Nut M5  
4 pcs




Buffer  
2 pcs



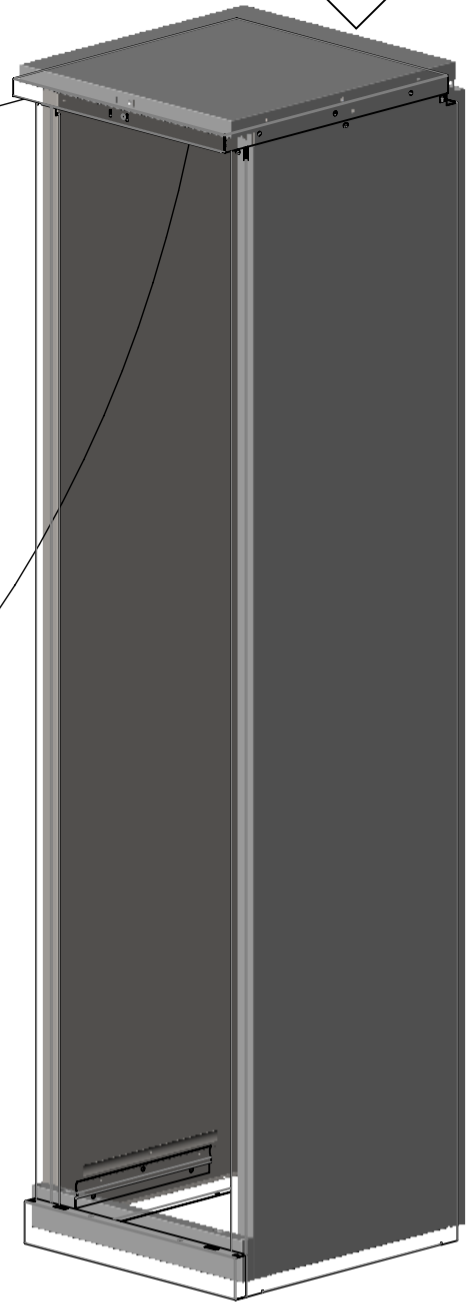
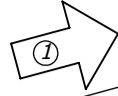
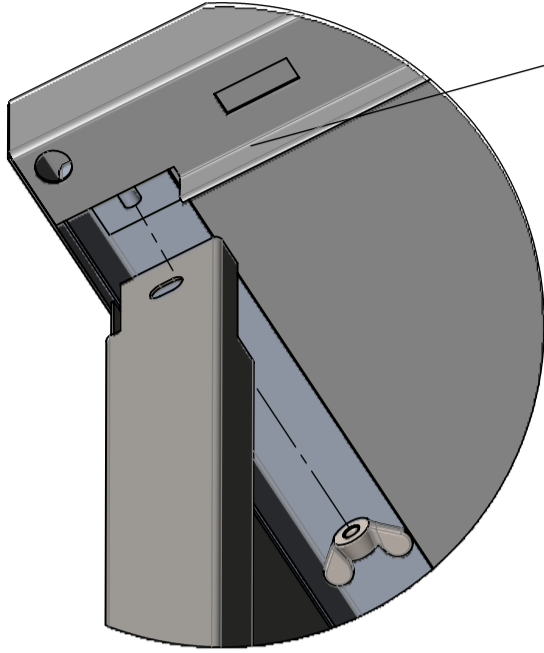
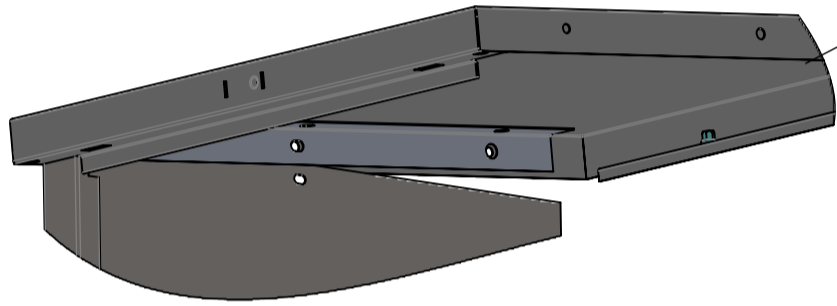
 14 pcs



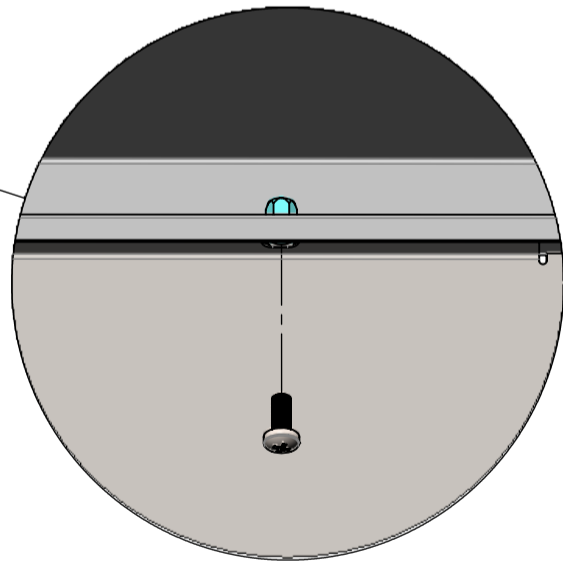
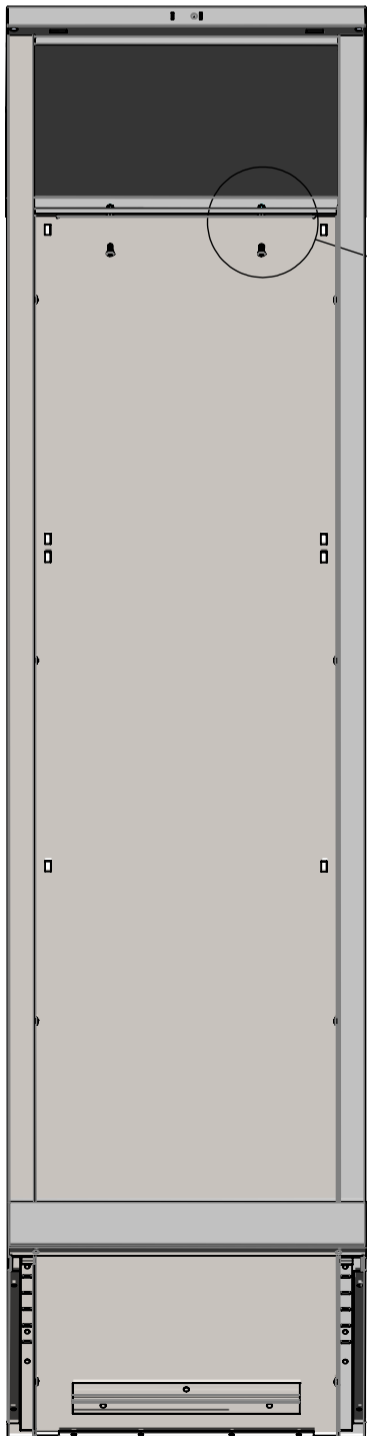
 2 pcs

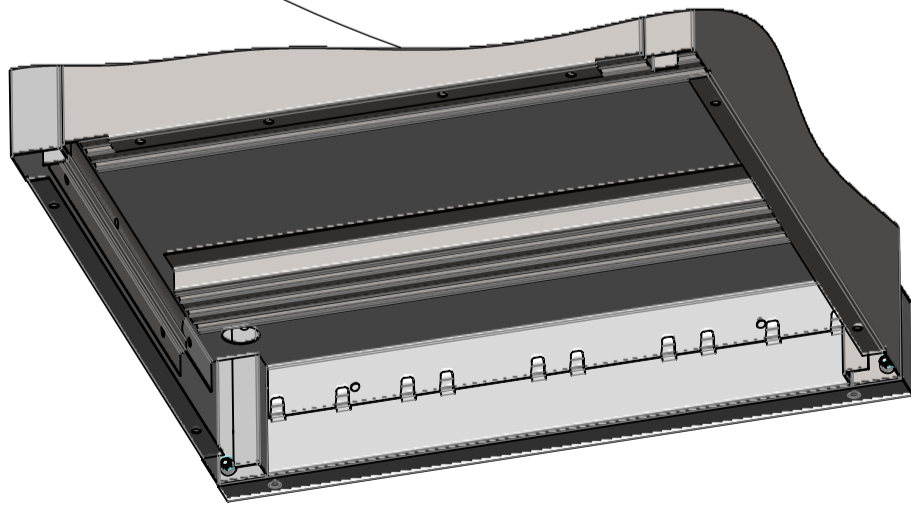
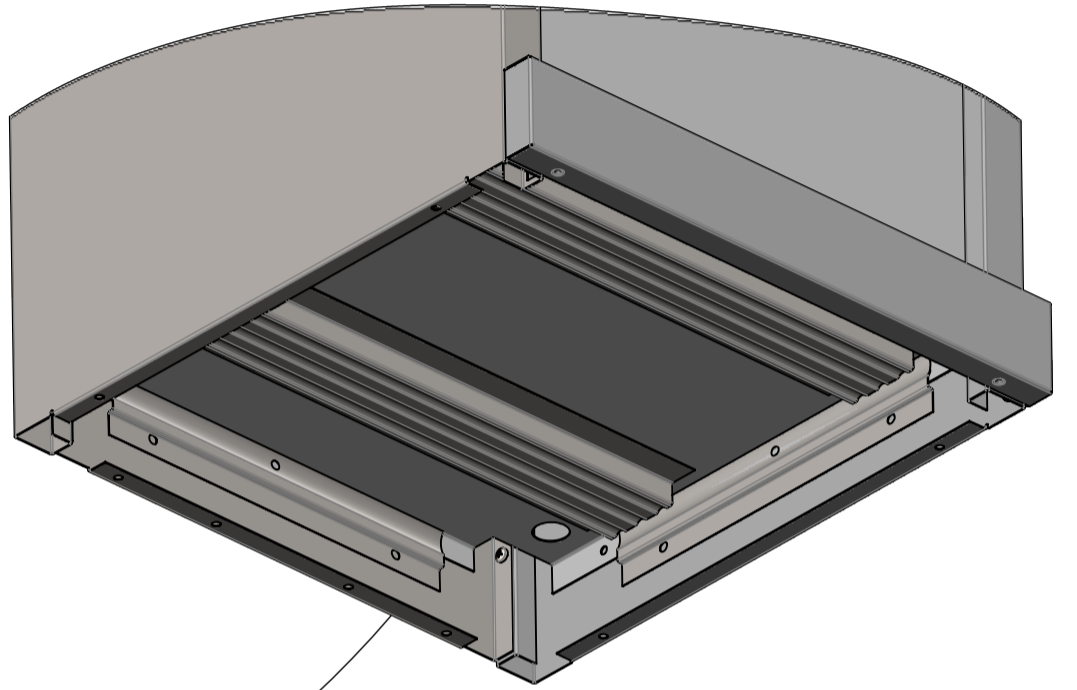
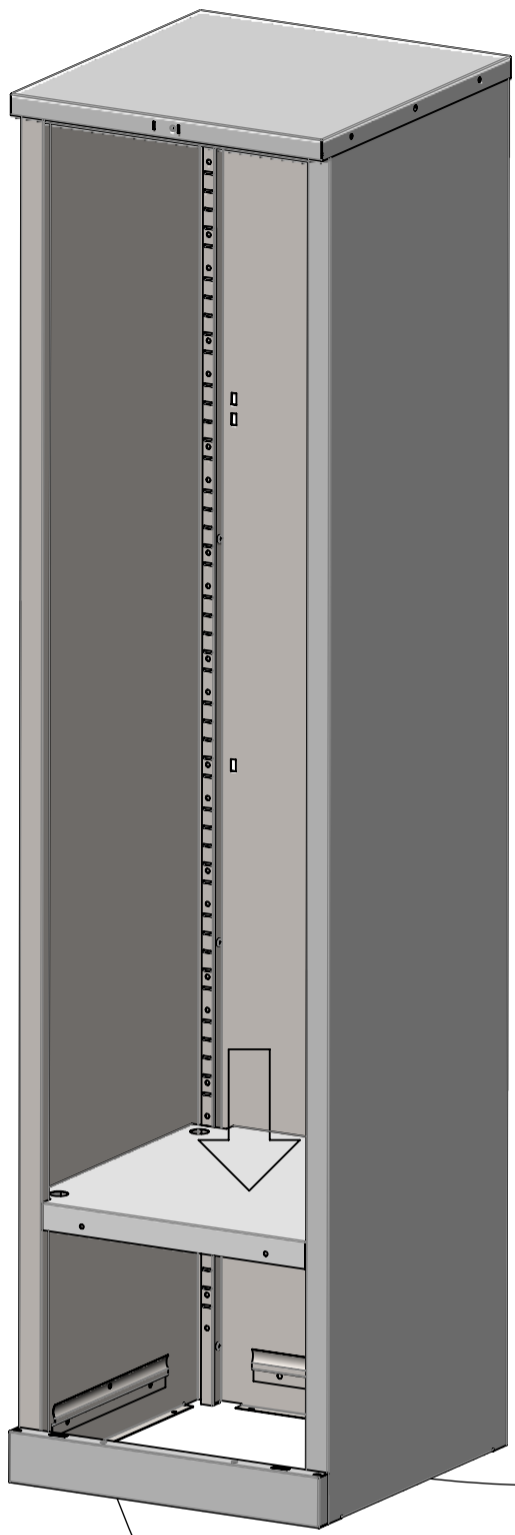
 2 pcs


**2x**




**2x**

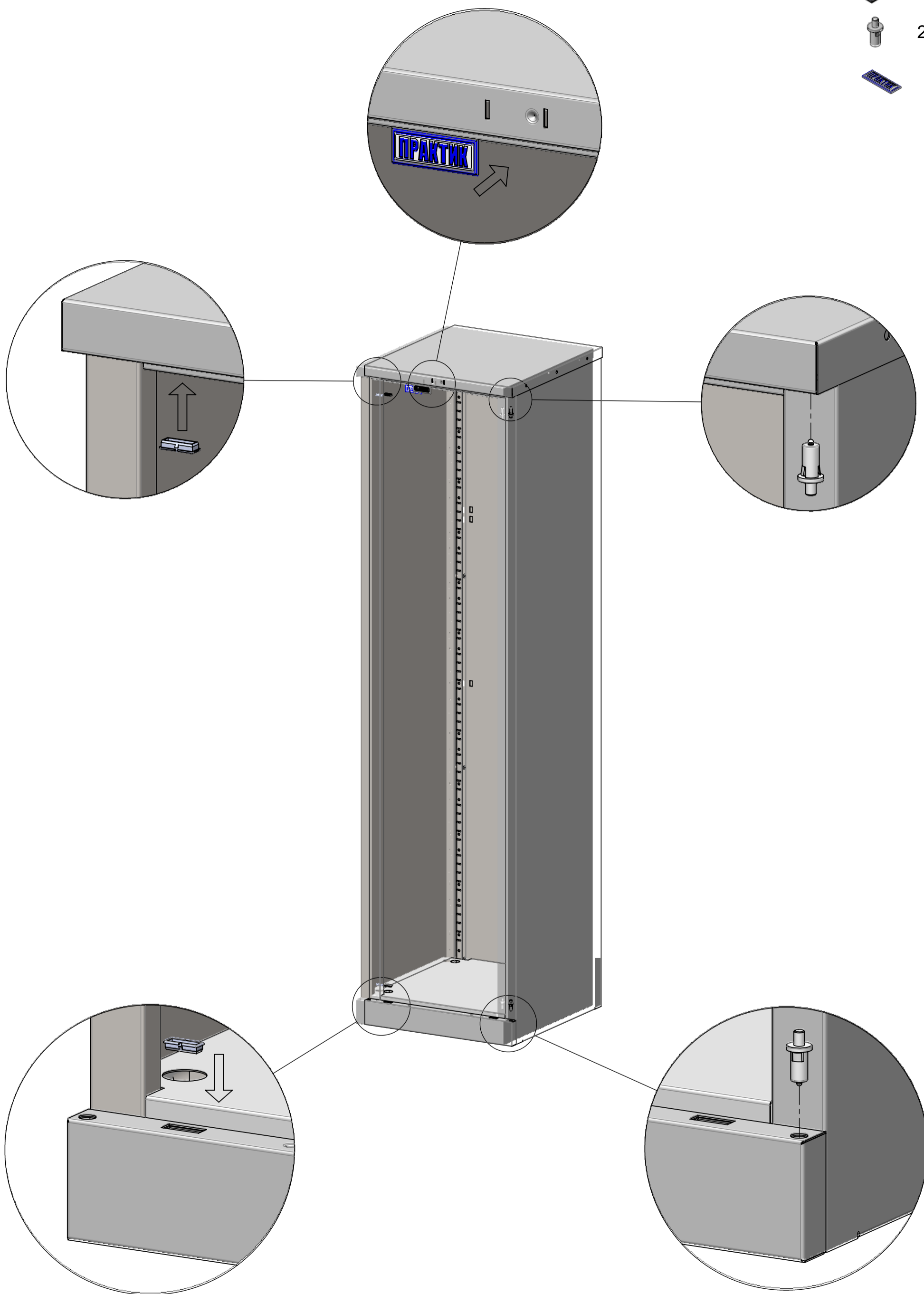





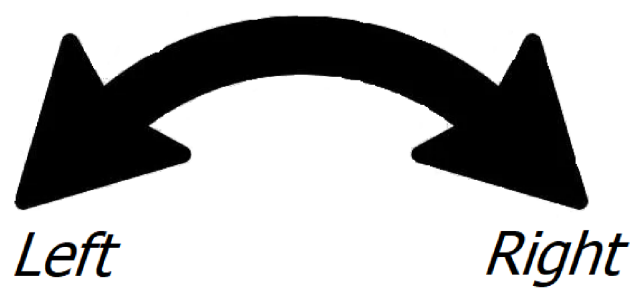
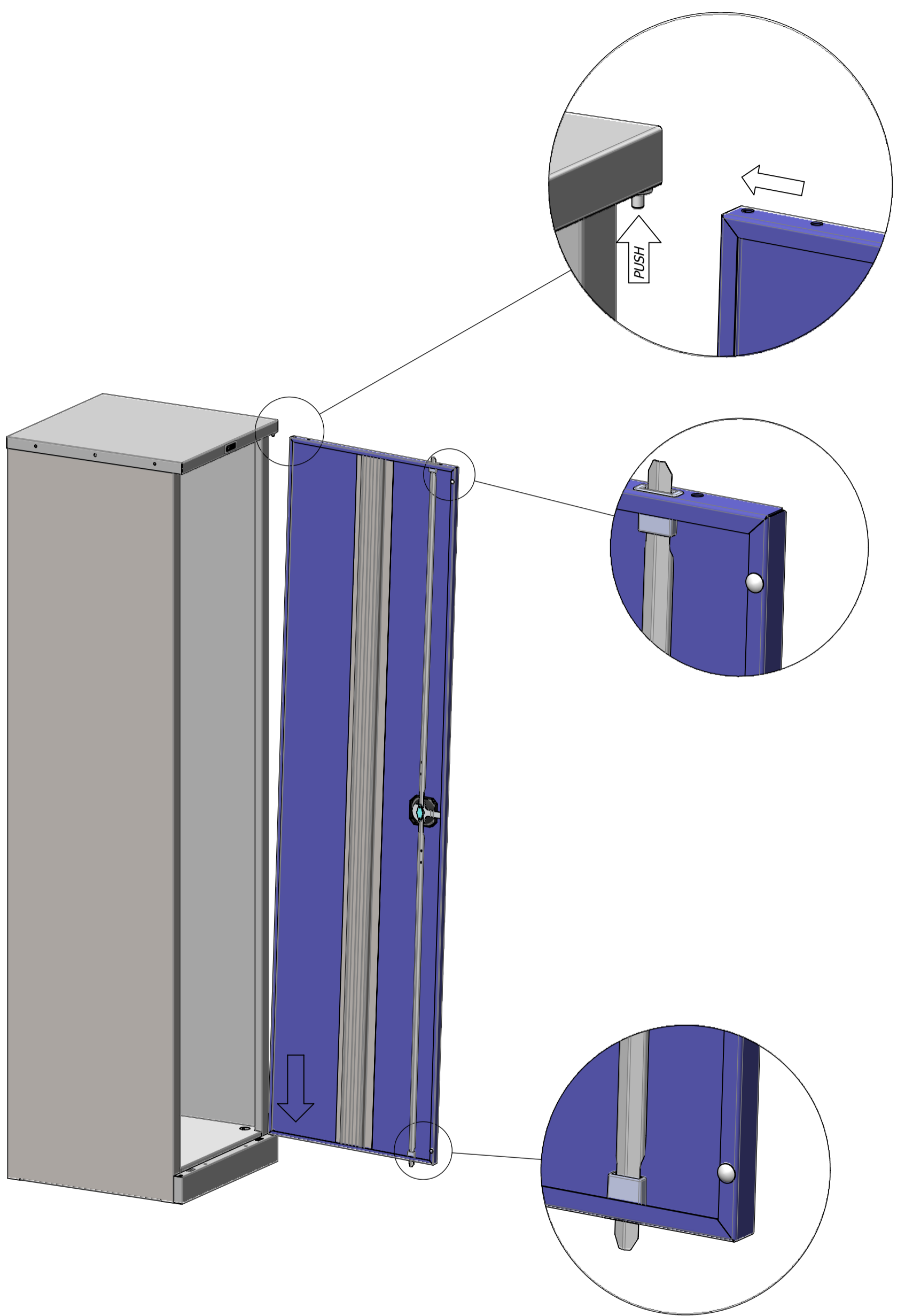
 2 pcs

 2 pcs

 1 pc



  
*Left* *Right*



## **1. Basic information**

The cabinet is designed for storing tools, locksmiths and other products used at manufacturing facilities, workshops, car service stations, home and Garage.

### **The Cabinet can be equipped with Additional items:**

1. Small Shelf TCsh - up to 6 pcs
2. Small drawer TCF 39x45 - up to 12 pcs.
3. Perforated panel Garage MS - 1 set

## **2. Operation features**

- The cabinet should be in use inside with an ambient temperature of 1 to 40 C and a relative humidity of no more than 60%.
- The cabinet should be installed on a Horizontal flat surface.
- It is recommended to lubricate the rubbing surfaces of the Lock with a thin layer of grease every 6 months.
- When installing several cabinets in a row, it is allowed to fasten them together with Bolts and nuts.
- Max total load - 500kg
- Max load of the cabinet bottom - 100 kg
- Max distributed load for small shelf - 80kg
- Max distributed load for drawer- 30 kg
- Max distributed load for perforated panel - 20kg

**The cabinet should be filled in the following order: from the bottom to the top**

**When more than 1 drawer installed- It is permitted to pull out only one in a time**

## **3. Storage and transportation**

- When disassembled, the cabinet can be transported in the manufacturer's packaging in a horizontal position by all types of covered transport or in containers.
- When transporting and storing the cabinet in cold weather, to avoid jamming of the locking devices. the product must be kept at room temperature for at least 3 hours.

**Storage requirements:** in a dry place, in the manufacturer's packaging.

## **4. Warranty obligations**

- The standard warranty period is 1 year from the date of sale. The warranty period can be increase in some cases up to 3 years.
-